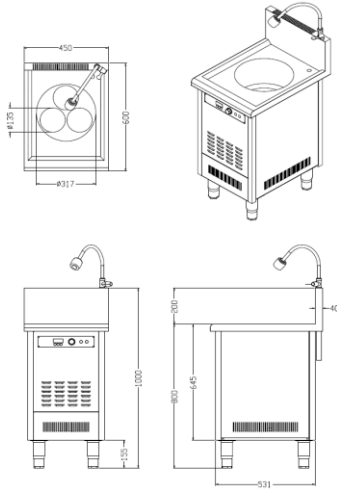


Induction Noodle Boiler

DIHN35



Specification

Electricity	DIHN35	220V, 60Hz, 1PH	Power Consumption	DIHN35	3500 W		
	DIHN35-A	208~240V, 50/60Hz 1PH		DIHN35-A			
	DIHN35-E	220~240V, 50/60Hz 1PH		DIHN35-E			
Power Connection	Plug type		Max Current	15 A			
Conversion to Calory	3024 Kcal/h		Controller Type	Jog dial, Capacitive button			
Warming	H1 ~ H7 (7 Steps)		Heating	1 ~ 10 (10 Steps)			
Output per Warming Steps	H1	H2	H3	H4	H5	H6	H7
	40Wh	60Wh	100Wh	130Wh	170Wh	240Wh	350Wh
Dimension / Weight	450 X 600 X 850 (mm) / 35kg (back panel : 150mm)						
Water amount	12 L		Requirements	Drain & Drain valve (faucet included)			
Container Dimension	Ø320 X 200 mm						
Option	Noodle strainer (Ø140mm)						
Recommendation	Pasta, Udon, All kinds of noodle						
Functions & Features	■ Safety						
	- No vessel : "00"						
	- Over current indication : "E1"						
	- Over voltage indication : "E2" (Above 265V)						
	- Low voltage : "E3" (Below 180V)						
	- Over heated product indication : "E4" (IGBT heat sink temperature above 85°C)						
	- Top glass overheated (empty vessel) : "E6" (Top surface temperature above 260°C)						
	- Unstable power indication: "E7"						
	- Defective PCB indication : "E8"						
	- Defective Working Coil indication : "E9"						
■ Timer Setting							
- Between 0sec - 720min (12hr)							
Warranty	1 year warranty (must be charged in case of user's negligence)						

Seoul Office: #75, Ahasan-ro 78-gil, Gwangjin-gu, Seoul, Republic of Korea 04969 / Tel : +82 2-444-5895 / Fax : +82 70-4694-5412

R&D Center: #209, Goraesan-ro, Wabu-eup, Namyangju-si, Gyeonggi-do, Republic of Korea 12202 / Tel : +82 2-444-5895 / Fax : +82 70-4694-5412

DIPO INDUCTION CO., Ltd. / www.dipoe.com

COPYRIGHT©2010 DIPO INDUCTION CO., LTD ALL RIGHTS RESERVED.