

Built-in Unit

BK60S

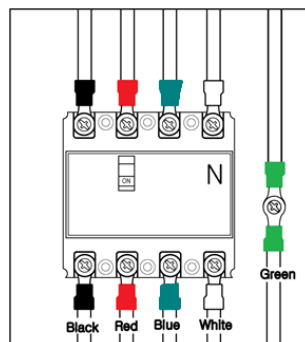


Specification

Electricity	BK60S	380V, 60Hz, 3PH+N	Power Consumption	BK60S	5500 W		
	BK60S-A	340~420V,		BK60S-A			
	BK60S-E	50/60Hz, 3PH+N		BK60S-E			
	BK50S-CE1	340~420V, 60Hz, 3PH+N		BK50S-CE1		5000 W	
Power Connection	Direct Connection to Circuit Breaker		Max Current	8.5 A			
Conversion to Calory	5184 Kcal/h						
Warming	H1 ~ H7 (7 Steps)		Heating	1 ~ 8 (8 Steps)			
Output per Warming Steps	H1	H2	H3	H4	H5	H6	H7
	160Wh	260Wh	410Wh	570Wh	730Wh	1020Wh	1490Wh
Dimension / Weight	Product: 400 X 530 X 250 (mm) / 24kg Package: 720 X 585 X 400 (mm) / 25.6kg						
Controller	Jog dial, Capacitive button (separated from the unit)						
Power Cable	660 mm		Controller Cable	660 mm			
Cookware Diameter	min : Ø170mm max : Ø360mm		Loadable Weight	50 Kg			
Recommendation	Main kitchen, Multi range						
Functions & Features	■ Safety						
	- No vessel : "00"						
	- Over current indication : "E1"						
	- Over voltage indication : "E2" (Above 420V)						
	- Low voltage : "E3" (Below 340V)						
	- Over heated product indication : "E4" (IGBT heat sink temperature above 85°C)						
- External thermal sensor absence or damage indication : Error "E5" (only when using temperature mode)							
- Top glass overheated (empty vessel) - E6 (Top surface temperature above 200°C)							
- Unstable power indication: "E7"							
- Defective PCB indication : "E8"							
- Defective Working Coil indication : "E9"							
■ Timer Setting							
- Between 0sec - 720min (12hr)							
■ Precise Temperature Control							
- From 40°C to 200°C adjusted by 5°C / error factor ±5% below							
Warranty	1 year (to be charged in case of user's negligence)						

Installation Guide

Electric Wiring



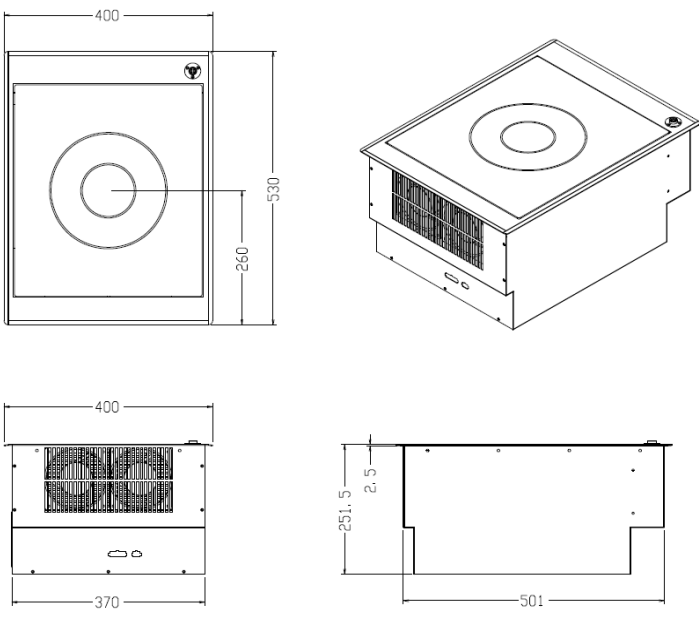
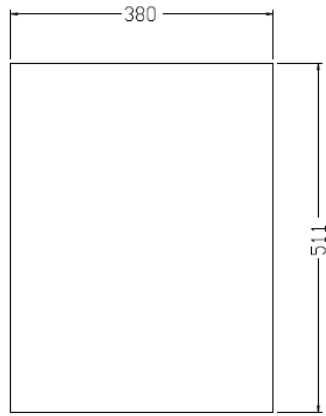
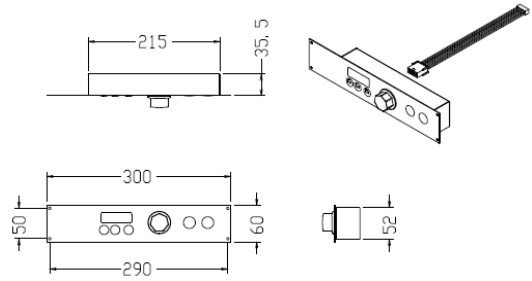
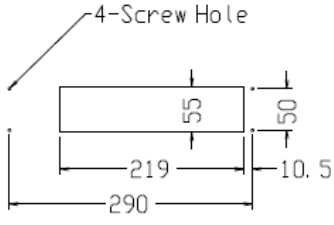
- ▶ Electricity : 380V 3PH+N
- ▶ Circuit breaker : 15A or above
- ▶ Cables : 600V, 6SQMM or above, 4 phase
- ▶ Ground cable separated - 4SQMM or above

Seoul Office: #75, Ahasan-ro 78-gil, Gwangjin-gu, Seoul, Republic of Korea 04969 / Tel : +82 2-444-5895 / Fax : +82 70-4694-5412

R&D Center: #209, Goraesan-ro, Wabu-eup, Namyangju-si, Gyeonggi-do, Republic of Korea 12202 / Tel : +82 2-444-5895 / Fax : +82 70-4694-5412

DIPO INDUCTION CO., Ltd. / www.dipoele.com

COPYRIGHT©2010 DIPO INDUCTION CO., LTD ALL RIGHTS RESERVED.

Dimension (mm)	
Product	Cut Opening for Main Unit
	 <p style="color: red; text-align: center;"> ※ Tolerance - Width : 10mm / Length : 10mm </p>
Control	Control Cut
 <p style="text-align: center;">Control Wire Length = 660mm</p>	 <p style="text-align: center;">4-Screw Hole</p>
<p style="font-size: small;">Seoul Office: #75, Ahasan-ro 78-gil, Gwangjin-gu, Seoul, Republic of Korea 04969 / Tel : +82 2-444-5895 / Fax : +82 70-4694-5412</p> <p style="font-size: small;">R&D Center: #209, Goraesan-ro, Wabu-eup, Namyangju-si, Gyeonggi-do, Republic of Korea 12202 / Tel : +82 2-444-5895 / Fax : +82 70-4694-5412</p> <p style="font-size: small; text-align: center;">DIPO INDUCTION CO., Ltd. / www.dipoele.com</p> <p style="font-size: x-small; text-align: center;">COPYRIGHT©2010 DIPO INDUCTION CO., LTD ALL RIGHTS RESERVED.</p>	

Built-in Unit

BK70S

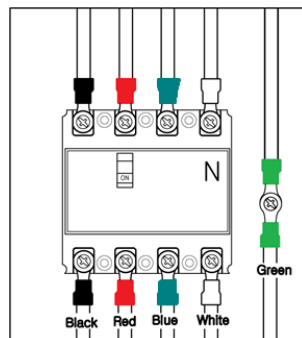


Specification

Electricity	BK70S	380V, 60Hz, 3PH+N	Power Consumption	BK70S	7000 W		
	BK70S-A	340~420V, 50/60Hz, 3PH+N		BK70S-A			
	BK70S-E	340~420V, 60Hz, 3PH+N		BK70S-E	8000 W		
	BK80S-CE1			BK80S-CE1			
Power Connection		Direct Connection to Circuit Breaker	Max Current		11.5 A		
Conversion to Calory		6048 Kcal/h					
Warming		H1 ~ H7 (7 Steps)	Heating		1 ~ 8 (8 Steps)		
Output per Warming Steps	H1	H2	H3	H4	H5	H6	H7
	160Wh	260Wh	410Wh	570Wh	730Wh	1020Wh	1490Wh
Dimension / Weight		Product: 400 X 530 X 250 (mm) / 24kg Package: 720 X 585 X 400 (mm) / 25.6kg					
Controller		Jog dial, Capacitive button (separated from the unit)					
Power Cable		660 mm	Controller Cable		660 mm		
Cookware Diameter		min : Ø170mm max : Ø360mm	Loadable Weight		50 Kg		
Recommendation		Main kitchen, Multi range					
Functions & Features		■ Safety					
		- No vessel : "00"					
		- Over current indication : "E1"					
		- Over voltage indication : "E2" (Above 420V)					
		- Low voltage : "E3" (Below 340V)					
		- Over heated product indication : "E4" (IGBT heat sink temperature above 85°C)					
		- External thermal sensor absence or damage indication : Error "E5" (only when using temperature mode)					
		- Top glass overheated (empty vessel) : "E6" (Top surface temperature above 260°C)					
		- Unstable power indication: "E7"					
		- Defective PCB indication : "E8"					
- Defective Working Coil indication : "E9"							
Warranty		■ Timer Setting					
		- Between 0sec - 720min (12hr)					
Warranty		■ Precise Temperature Control					
		- From 40°C to 200°C adjusted by 5°C / error factor ±5% below					
Warranty		1 year (to be charged in case of user's negligence)					

Installation Guide

Electric Wiring



- ▶ Electricity : 380V 3PH+N
- ▶ Circuit breaker : 15A or above
- ▶ Cables : 600V, 6SQMM or above, 4 phase
- ▶ Ground cable separated - 4SQMM or above

Seoul Office: #75, Ahasan-ro 78-gil, Gwangjin-gu, Seoul, Republic of Korea 04969 / Tel : +82 2-444-5895 / Fax : +82 70-4694-5412

R&D Center: #209, Goraesan-ro, Wabu-eup, Namyangju-si, Gyeonggi-do, Republic of Korea 12202 / Tel : +82 2-444-5895 / Fax : +82 70-4694-5412

DIPO INDUCTION CO., Ltd. / www.dipoee.com

COPYRIGHT©2010 DIPO INDUCTION CO., LTD ALL RIGHTS RESERVED.

Dimension (mm)	
Product	Cut Opening for Main Unit
<p>Product dimensions: Front view (400x530), Top view (400x370), and Side view (501x251.5x2.5).</p>	<p>380 511</p> <p>* Tolerance - Width : 10mm / Length : 10mm</p>
Control	Control Cut
<p>Control Wire Length = 660mm</p>	<p>4-Screw Hole 55 219 10.5 290 50</p>
<p>Seoul Office: #75, Ahasan-ro 78-gil, Gwangjin-gu, Seoul, Republic of Korea 04969 / Tel : +82 2-444-5895 / Fax : +82 70-4694-5412</p> <p>R&D Center: #209, Goraesan-ro, Wabu-eup, Namyangju-si, Gyeonggi-do, Republic of Korea 12202 / Tel : +82 2-444-5895 / Fax : +82 70-4694-5412</p> <p>DIPO INDUCTION CO., Ltd. / www.dipoel.com</p> <p>COPYRIGHT©2010 DIPO INDUCTION CO., LTD ALL RIGHTS RESERVED.</p>	