

Induction Deep Fryer

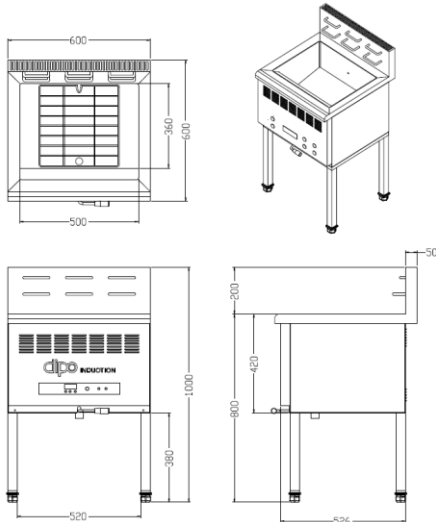
DIHF113B



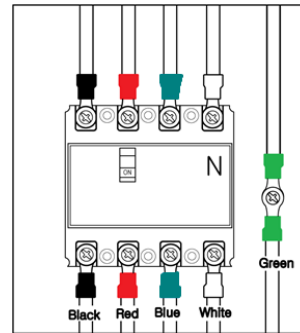
Specification

Electricity	DIHF113B	380V, 60Hz, 3PH+N	Power Consumption	DIHF113B	11000 W
	DIHF113B-A	340~420V,		DIHF113B-A	
	DIHF113B-E	50/60Hz, 3PH+N		DIHF113B-E	
Power Connection	Direct Conection to Circuit Breaker		Max Current	16 A	
Conversion to Calory	9504 Kcal/h				
Dimension / Weight	600 X 600 X 850 (mm) / 53kg (Back panel : 150mm)				
Controller Type	Capactive button				
Oil Tank	495 X 355 X 255 (mm)		Oil Usage	25 L	
Control	Automatic Temperature Control		Temperature	40 ~ 180°C (Adjusting by 5°C or 10°C)	
Heating System	IH Side-wall Heating System				
Functions & Features	■ Safety - Over current indication : "E1" - Over voltage indication : "E2" (Above 420V) - Low voltage : "E3" (Below 340V) - Product over heated indication : "E4" (Internal temperature above 85°C) - External thermal sensor absence or damage indication : "E5" (only when using temperature mode) - Unstable power indication : "E7" - Defective PCB indication : "E8" - Defective Working Coil indication : "E9"				
	■ Timer Setting - Between 0sec - 720min (12hr)				
	■ Precise Temperature Control - From 40°C to 230°C adjusted by 5°C / error factor ±2% below				
Warranty	1 year (to be charged in case of user's negligence)				

Installation Guide



Electric Wiring



- ▶ Electricity : 380V 3PH+N
- ▶ Circuit breaker : 20A or above
- ▶ Cables : 600V, 6SQMM or above, 4 phase
- ▶ Ground cable separated - 4SQMM or above

Seoul Office: #75, Achasan-ro 78-gil, Gwangjin-gu, Seoul, Republic of Korea 04969 / Tel : +82 2-444-5895 / Fax : +82 70-4694-5412

R&D Center: #209, Goraesan-ro, Wabu-eup, Namyangju-si, Gyeonggi-do, Republic of Korea 12202 / Tel : +82 2-444-5895 / Fax : +82 70-4694-5412

DIPO INDUCTION CO., Ltd. / www.dipoele.com

COPYRIGHT©2010 DIPO INDUCTION CO., LTD ALL RIGHTS RESERVED.