

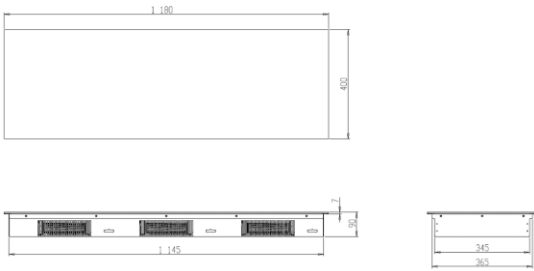
Drop-in 3 Hob Warmer

3BKH12P



Specification

Electricity	3BKH12P	220V, 60Hz, 1PH	Power Consumption	3BKH12P	1200 W			
	3BKH12P-A	208~240V, 50/60Hz, 1PH		3BKH12P-A				
	3BKH12P-E	220~240V, 50/60Hz, 1PH		3BKH12P-E				
Power Connection	Plug type (3 separate plugs)		Max Current	6A				
Conversion to Calory	1036.8 Kcal/h (3 zones combined)							
7 Warming Steps (H1-H7)	H1	H2	H3	H4	H5	H6	H7	(1L Water, using chafer)
	35℃	40℃	50℃	60℃	70℃	80℃	90℃	
Dimension / Weight	1180 X 400 X 90 (mm) / 21kg							
Control Type	Capactive button (separated from the unit)							
Display	FND(LED) / 1 Digit		Control Wire Length	660 mm				
Cookware Diameter	min : Ø130mm max : Ø240mm		Loadable Weight	30Kg each				
Functions & Features	■ Safety							
	- No vessel : "U" flashing							
	- Over current indication : "1" flashing							
	- Over voltage indication : "2" (Above 265V) flashing							
	- Low voltage : "3" (Below 180V) flashing							
	- Product over heated indication : "4" (IGBT heat sink temperature above 85℃) flashing							
	- Top surface overheated (empty vessel) : "6" (Top surface temperature above 260℃) flashing							
- Unstable power indication: "7" flashing								
- Defective PCB indication : "8" flashing								
- Defective Working Coil indication : "9" flashing								
Warranty	1 year warranty (must be charged in case of user's negligence)							



Seoul Office: #75, Ahasan-ro 78-gil, Gwangjin-gu, Seoul, Republic of Korea 04969 / Tel : +82 2-444-5895 / Fax : +82 70-4694-5412

R&D Center: #209, Goraesan-ro, Wabu-eup, Namyangju-si, Gyeonggi-do, Republic of Korea 12202 / Tel : +82 2-444-5895 / Fax : +82 70-4694-5412

DIPO INDUCTION CO., Ltd. / www.dipoele.com

COPYRIGHT©2010 DIPO INDUCTION CO., LTD ALL RIGHTS RESERVED.

Dimension (mm)

Product

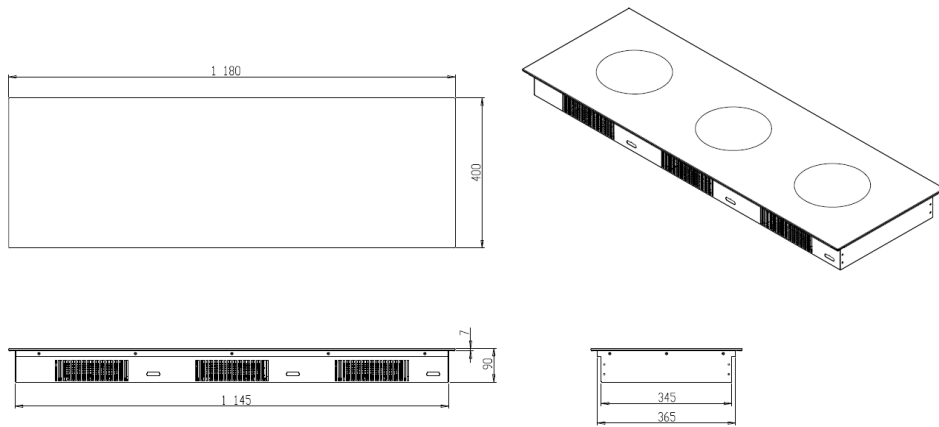
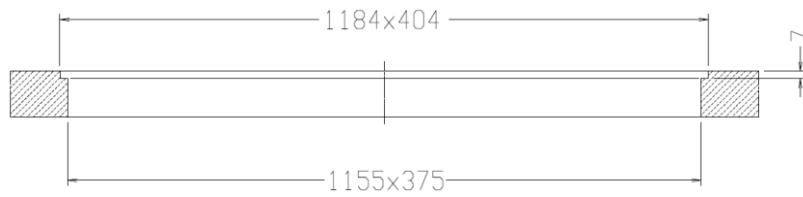
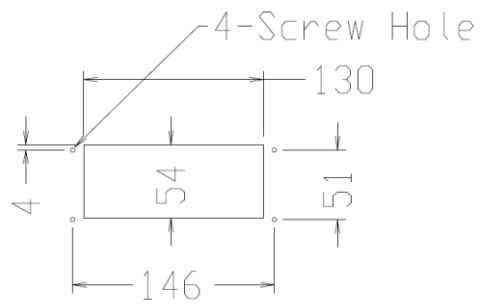
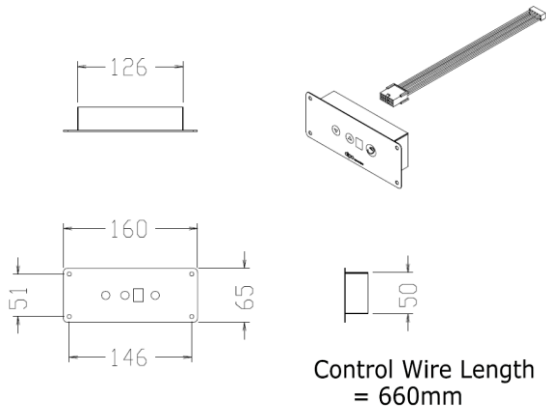


Table Cut (for "L" type hole)



Control

Control Cut



Seoul Office: #75, Ahasan-ro 78-gil, Gwangjin-gu, Seoul, Republic of Korea 04969 / Tel : +82 2-444-5895 / Fax : +82 70-4694-5412

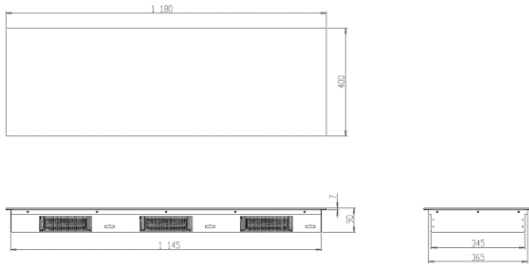
R&D Center: #209, Goraesan-ro, Wabu-eup, Namyangju-si, Gyeonggi-do, Republic of Korea 12202 / Tel : +82 2-444-5895 / Fax : +82 70-4694-5412

DIPO INDUCTION CO., Ltd. / www.dipoele.com

COPYRIGHT©2010 DIPO INDUCTION CO., LTD ALL RIGHTS RESERVED.

Drop-in 3 Hob Cooker

3BKH56P



Specification

Electricity	3BKH56P	220V, 60Hz, 1PH	Power Consumption	3BKH56P	5600 W
	3BKH56P-A	208~240V, 50/60Hz, 1PH		3BKH56P-A	
	3BKH56P-E	220~240V, 50/60Hz, 1PH		3BKH56P-E	
Power Connection	Plug type (3 separate plugs)		Max Current	25.5 A	
Conversion to Calory	4838.4 Kcal/h (3 zones combined)				
Warming	1 ~ 2 (2 steps)		Heating	3 ~ 8 (6 steps)	
Temperature per Warming Step	1		2		▶ Water : 1L ▶ Vessel : Chafing dish
	35 °C		60 °C		
Dimension / Weight	1180 X 400 X 90 (mm) / 21kg				
Control Type	Capactive button (separated from the unit)				
Display	FND(LED) / 1 Digit		Control Wire Length	660 mm	
Cookware Diameter	min : Ø130mm max : Ø240mm		Loadable Weight	30Kg each	
Functions & Features	■ Safety				
	- No vessel : "U" flashing				
	- Over current indication : "1" flashing				
	- Over voltage indication : "2" (Above 265V) flashing				
	- Low voltage : "3" (Below 180V) flashing				
	- Product over heated indication : "4" (IGBT heat sink temperature above 85°C) flashing				
	- Top surface overheated (empty vessel) : "6" (Top surface temperature above 260°C) flashing				
	- Unstable power indication: "7" flashing				
	- Defective PCB indication : "8" flashing				
- Defective Working Coil indication : "9" flashing					
Warranty	1 year warranty (must be charged in case of user's negligence)				

Seoul Office: #75, Ahasan-ro 78-gil, Gwangjin-gu, Seoul, Republic of Korea 04969 / Tel : +82 2-444-5895 / Fax : +82 70-4694-5412

R&D Center: #209, Goraesan-ro, Wabu-eup, Namyangju-si, Gyeonggi-do, Republic of Korea 12202 / Tel : +82 2-444-5895 / Fax : +82 70-4694-5412

DIPO INDUCTION CO., Ltd. / www.dipoele.com

COPYRIGHT©2010 DIPO INDUCTION CO., LTD ALL RIGHTS RESERVED.

Dimension (mm)

Product

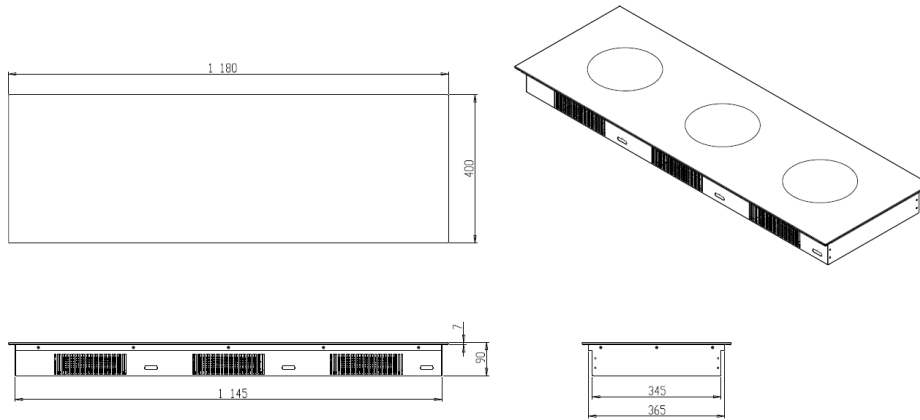
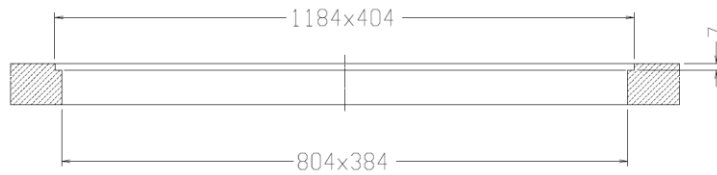
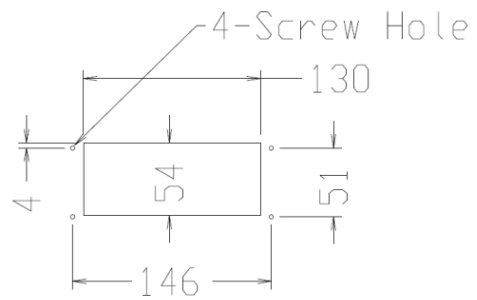
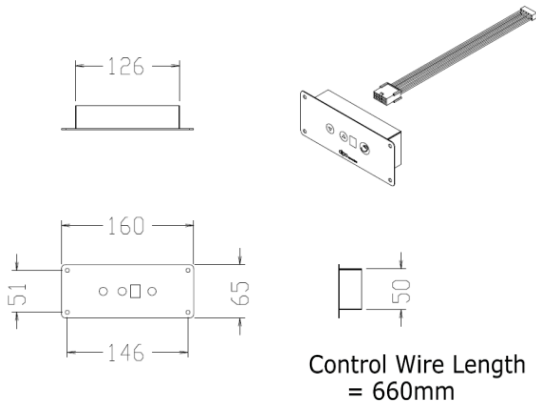


Table Cut (for "L" type hole)



Control

Control Cut



Seoul Office: #75, Ahasan-ro 78-gil, Gwangjin-gu, Seoul, Republic of Korea 04969 / Tel : +82 2-444-5895 / Fax : +82 70-4694-5412

R&D Center: #209, Goraesan-ro, Wabu-eup, Namyangju-si, Gyeonggi-do, Republic of Korea 12202 / Tel : +82 2-444-5895 / Fax : +82 70-4694-5412

DIPO INDUCTION CO., Ltd. / www.dipole.com

COPYRIGHT©2010 DIPO INDUCTION CO., LTD ALL RIGHTS RESERVED.