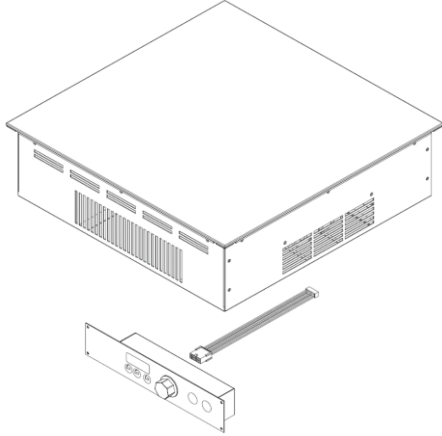


1 Hob Extended Coil Drop-in Induction

BKR35



Specification

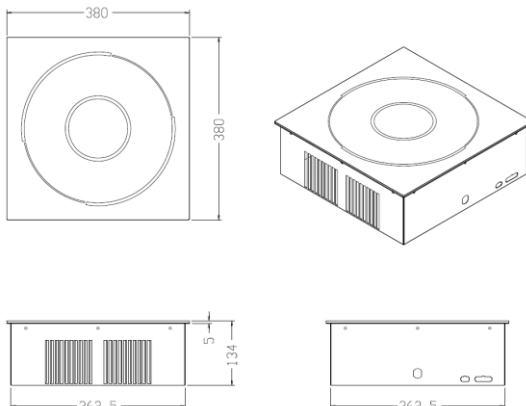
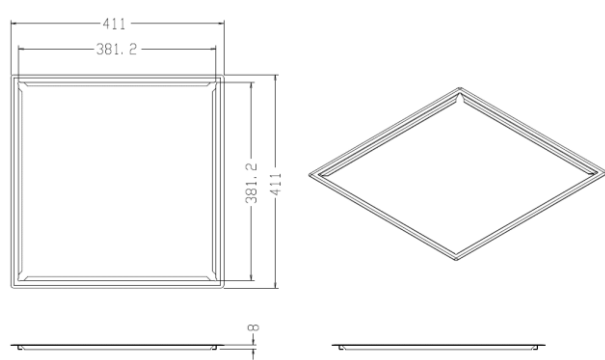
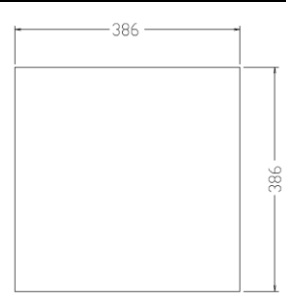
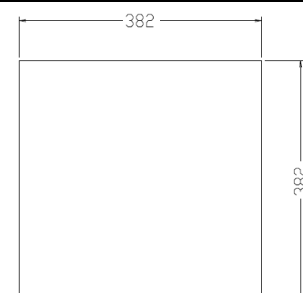
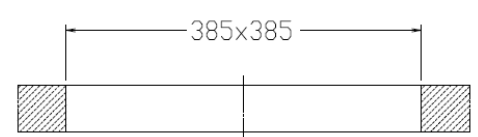
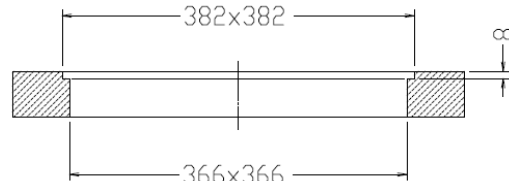
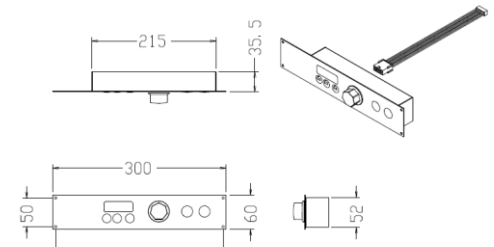
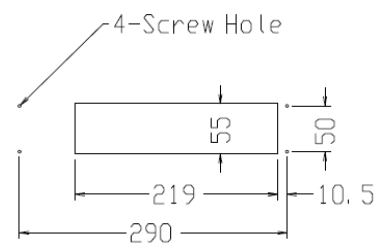
Electricity	BKR35	220V, 60Hz, 1PH	Power Consumption	BKR35	3500 W			
	BKR35-A	208~240V, 50/60Hz, 1PH		BKR35-A	3300 W			
	BKR35-E	220~240V, 50/60Hz, 1PH		BKR35-E	3500 W			
	BKR35-CE1	220~240V, 60Hz, 1PH		BKR35-CE1	3000 W			
	BKR30-J	200V, 50/60Hz, 1PH		BKR30-J	3000 W			
Power Connection		Plug type	Max Current		15 A			
Conversion to Calory		3024 Kcal/h						
Warming		H1 ~ H7 (7 steps)	Heating		1 ~ 10 (10 steps)			
Output per Warming Steps		H1	H2	H3	H4	H5	H6	H7
		40Wh	60Wh	100Wh	130Wh	170Wh	240Wh	350Wh
Dimension / Weight		Product: 380 X 380 X 112 (mm) / 10.5kg Package: 515 X 450 X 270 (mm) / 10.6kg						
Controller		Jog dial, Capacitive button (separated from the unit)						
Power Cable		660 mm	Controller Cable		660 mm			
Cookware Diameter		min : Ø270mm	Loadable Weight		60 Kg			
Functions & Features		<input checked="" type="checkbox"/> Safety						
		- No vessel : "00"						
		- Over current indication : "E1"						
		- Over voltage indication : "E2" (Above 265V)						
		- Low voltage : "E3" (Below 180V)						
		- Over heated product indication : "E4" (IGBT Heatsink temperature above 85°C)						
- Unstable power indication: "E7"								
- Defective PCB indication : "E8"								
- Defective Working Coil indication : "E9"								
Warranty		1 year (to be charged in case of user's negligence)						

Seoul Office: #75, Ahasan-ro 78-gil, Gwangjin-gu, Seoul, Republic of Korea 04969 / Tel : +82 2-444-5895 / Fax : +82 70-4694-5412

R&D Center: #209, Goraesan-ro, Wabu-eup, Namyangju-si, Gyeonggi-do, Republic of Korea 12202 / Tel : +82 2-444-5895 / Fax : +82 70-4694-5412

DIPO INDUCTION CO., Ltd. / www.dipoele.com

COPYRIGHT©2010 DIPO INDUCTION CO., LTD ALL RIGHTS RESERVED.

Dimension (mm)	
Product	Installation Guide
	
Case Cut (using installation guide)	Case Cut (not using installation guide)
	
Table Cut (using installation guide)	Table Cut (for "L" type hole)
	
Control	Control Cut
 <p>Control Wire Length = 660mm</p>	
<p>Seoul Office: #75, Ahasan-ro 78-gil, Gwangjin-gu, Seoul, Republic of Korea 04969 / Tel : +82 2-444-5895 / Fax : +82 70-4694-5412</p> <p>R&D Center: #209, Goraesan-ro, Wabu-eup, Namyangju-si, Gyeonggi-do, Republic of Korea 12202 / Tel : +82 2-444-5895 / Fax : +82 70-4694-5412</p> <p>DIPO INDUCTION CO., Ltd. / www.dipoele.com</p> <p>COPYRIGHT©2010 DIPO INDUCTION CO., LTD ALL RIGHTS RESERVED.</p>	